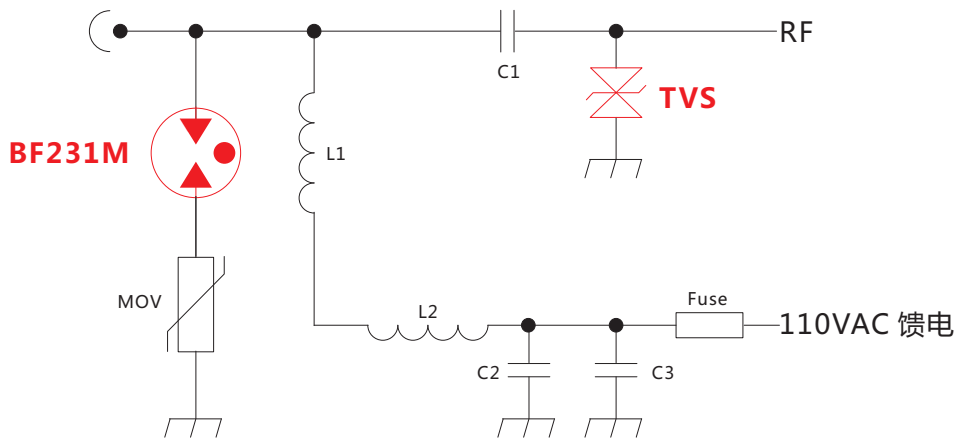




同轴端口低结电容GDT

Ultra low capacitor GDT for Coaxial port

方案图/Solution

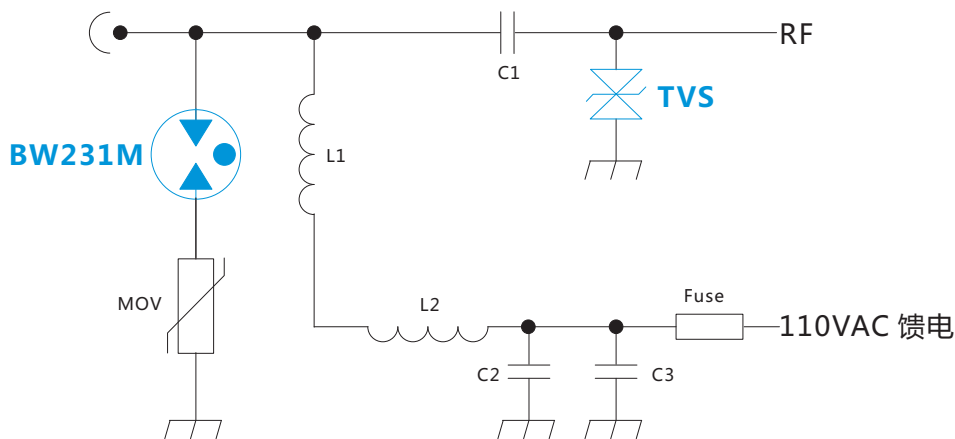


支持全宽带信号频率至1GHz
It can work at 1GHz frequency

传统方案



槟城电子创新方案



支持全宽带信号频率至2GHz
It can work at 2GHz frequency

防护等级/Surge level

- ITU-T K56
- 8/20 μ s
- CM/DM:10KA

优势/Features:

- 高达10KA浪涌性能，占用空间极小；
Up to 10KA Surge Capability in Minimal Footprint.
- 超低电容(< 0.5pF)；
Ultra-low capacitance (< 0.5 pF)
- 方形端子表面贴装。
Surface mount form factor with square terminals.

产品参数/Datasheet

	Part Number	DC Breakdown Voltage(V_{BR}) 100V/s (V)	Tolerance of V_{BR} (V)	Impulse Spark-over Voltage 1KV/ μ s (V)	Arc Voltage (V_a) (V)@1A	Impulse Discharge Current 8/20 μ s (KA)	Insulation Resistance @DC (Ω) (V)	Capacitance C_0 (pF) 0.5VDC@1MHz	Size L*W*H (mm)
	BW231M	230	184-276	≤ 800	~ 12	10	≤ 1 100	≤ 0.45	7.0x6.0x6.0